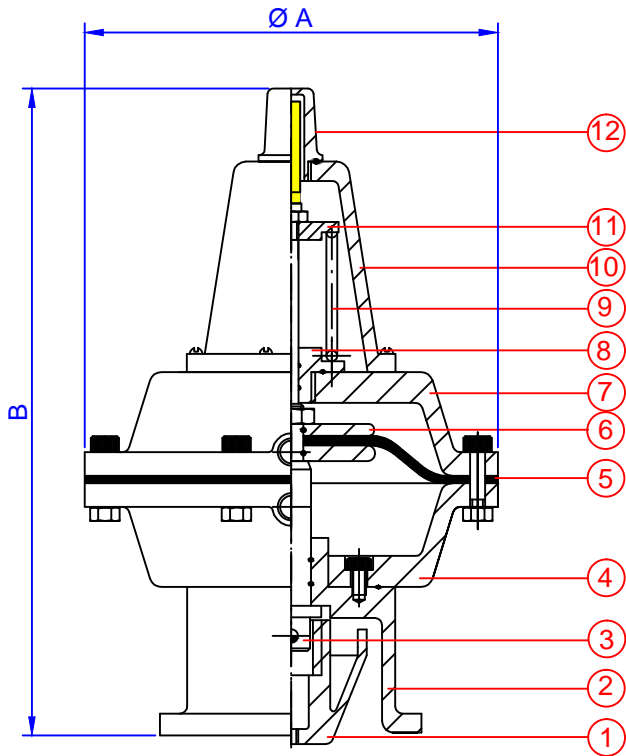


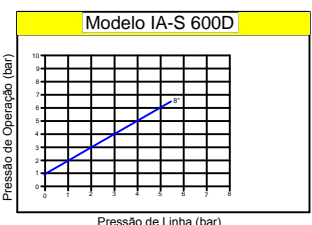
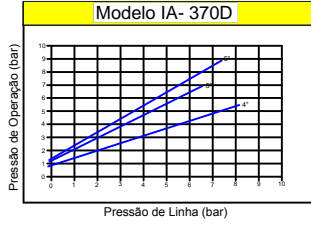
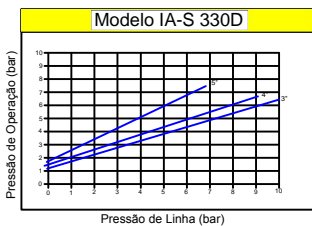
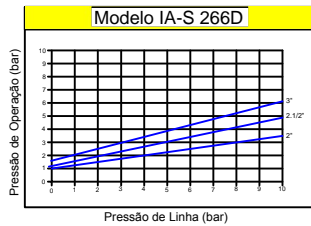
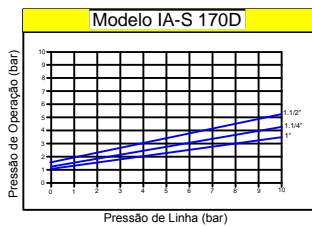
# Válvula Tipo D (Passagem Reto) Atuador Normal Aberto



Pos.	Componente
1	Compressor
2	Tampa
3	Haste
4	Campânula Inferior
5	Diafragma do Comando
6	Prato do Diafragma
7	Campânula Superior
8	Apoio da Mola
9	Mola
10	Copo da Mola
11	Apoio da Mola
12	Indicador Abertura

Modelo	Principais Dimensões												
	IA-S170-D			IA-S266-D			IA-S330-D		IA-S370-D		IA-S600-D		
Bitola	1"	1.1/4"	1.1/2"	2"	2.1/2"	3"	3"	4"	5"	4"	5"	6"	8"
ØA	170,0	170,0	170,0	266,0	266,0	266,0	336,0	336,0	336,0	370,0	370,0	370,0	600,0
B	340,0	340,0	340,0	244,0	477,0	492,0	520,0	532,0	541,0	704,0	745,0	754,0	1010,0

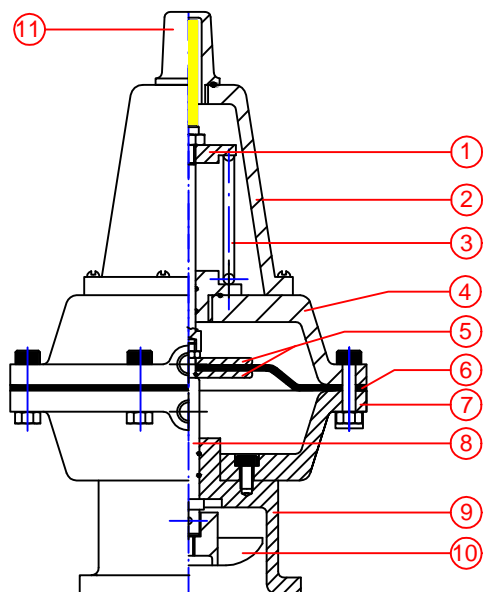
## Gráficos - Pressão de Linha x Pressão de ar de operação



Bitola	Atuadores Normal Aberto				
	IA-S170D	IA-S266D	IA-S330D	IA-S370D	IA-S600D
1"					
1.1/4"					
1.1/2"					
2"					
2.1/2"					
3"					
4"					
5"					
6"					
8"					

Obs° - As conexões de ar comprimido para atuadores ID-170D a ID-370D são de 1/4" BSP e para atuadores ID-600D é 3/8" BSP

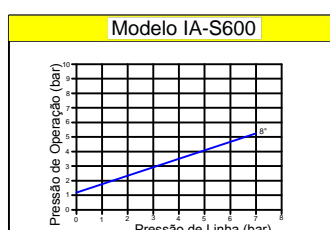
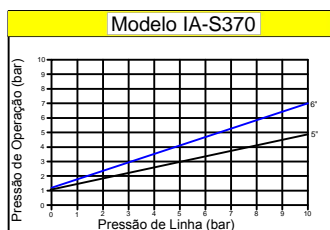
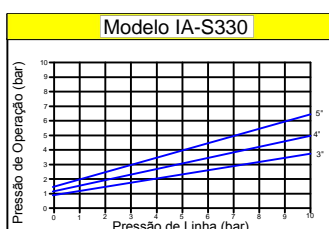
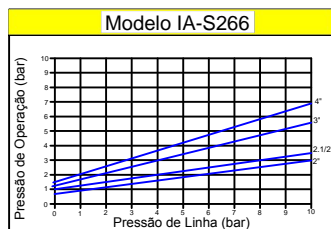
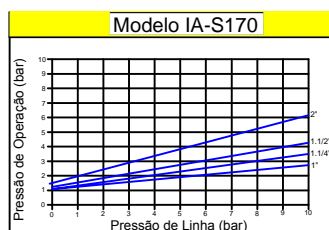
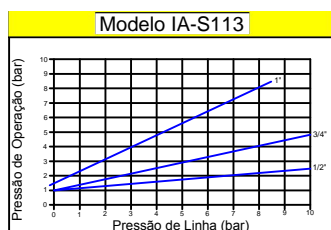
# Válvula Tipo P (Passagem Angular) Atuador Normal Aberto



Pos.	Componente
11	Indicador de Abertura
10	Compressor
9	Tampa
8	Haste
7	Campânula Inferior
6	Diafragma do Comando
5	Prato do Diafragma
4	Campânula Superior
3	Mola
2	Copo da Mola
1	Apoio da Mola

Principais Dimensões																		
Modelo	IA-S113			IA-S170				IA-S266			IA-S330			IA-S370			IA-S600	
Bitola	1/2"	3/4"	1"	1"	1.1/4"	1.1/2"	2"	2"	2.1/2"	3"	4"	3"	4"	5"	4"	5"	6"	8"
ØA	113,0	113,0	113,0	170,0	170,0	170,0	170,0	266,0	266,0	266,0	266,0	336,0	336,0	336,0	370,0	370,0	370,0	600,0
B	235,0	240,0	246,0	308,0	312,0	318,0	322,0	447,0	455,0	493,0	503,0	512,0	520,0	544,0	651,0	677,0	698,0	980,0

## Gráficos - Pressão de Linha x Pressão de ar de operação



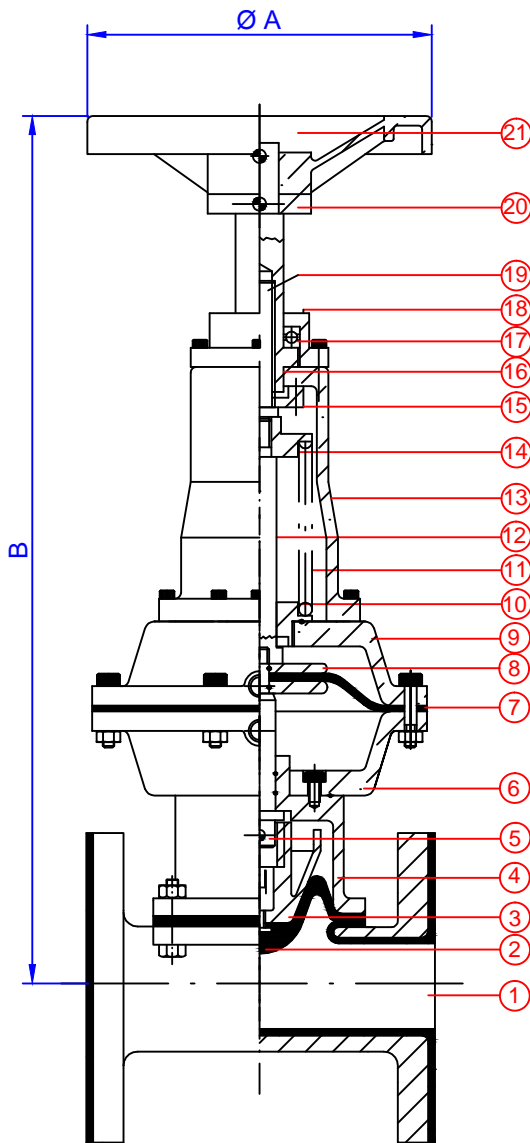
Bitola	Atuadores Dupla Ação					
	IA-S113	IA-S170	IA-S266	IA-S330	IA-S370	IA-S600
1/2"						
3/4"						
1"						
1.1/4"						
1.1/2"						
2"						
2.1/2"						
3"						
4"						
5"						
6"						
8"						
10"						

Obs° - As conexões de ar comprimido para atuadores IA-S113 a IA-S370 são de 1/4" BSP e para atuadores IA-S600 é 3/8" BSP

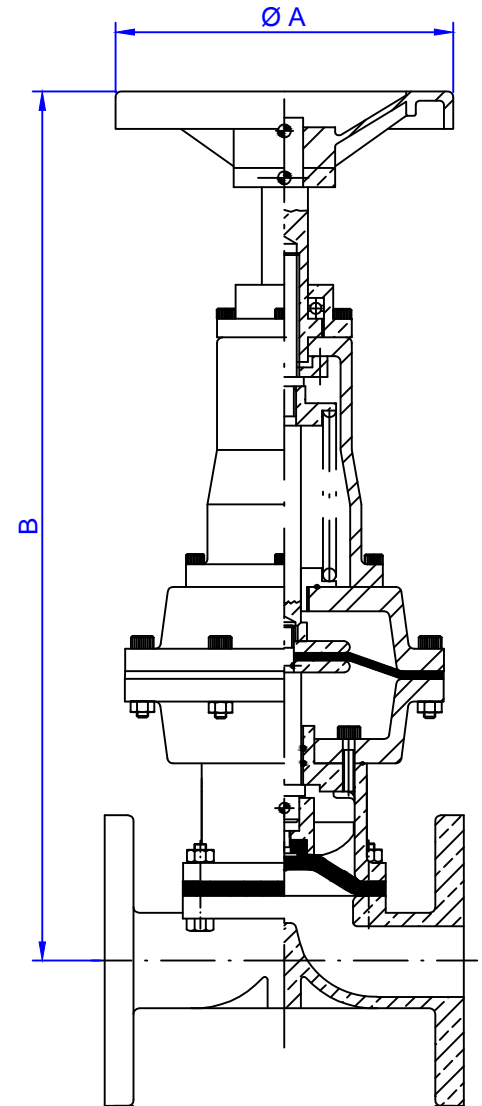
# ATUADOR NORMAL ABERTO COM VOLANTE DE EMERGÊNCIA

Válvula Diafragma Tipo D (Passagem Reto)

Válvula Diafragma Tipo P (Passagem Angular)



21	Volante
20	Anel do Volante
19	Limitador
18	Mancal
17	Rolamento
16	Bucha
15	Guia do Limitador
14	Apoio Sup. da Mola
13	Copo
12	Haste Superior
11	Mola
10	Apoio Inf.
9	Campânula Superior
8	Prato do Diafragma
7	Diafragma do Comando
6	Campânula Inferior
5	Haste
4	Tampa
3	Compressor
2	Diafragma de Vedação
1	Corpo
<b>Pos.</b>	<b>Componente</b>



Válvula Diafragma Tipo P (Passagem Angular)

Principais Dimensões																		
Modelo	IA-S113			IA-S170				IA-S266				IA-S330			IA-S370			IA-S600
Bitola	1/2"	3/4"	1"	1"	1.1/4"	1.1/2"	2"	2"	2.1/2"	3"	4"	3"	4"	5"	4"	5"	6"	8"
ØA	113,0	113,0	113,0	170,0	170,0	170,0	170,0	266,0	266,0	266,0	266,0	336,0	336,0	336,0	370,0	370,0	370,0	600,0
B	294,0	303,0	314,0	461,0	471,0	483,0	499,0	628,0	643,0	689,0	712,0	708,0	729,0	774,0	813,0	907,0	946,0	1314,0

Válvula Diafragma Tipo D (Passagem Reto)

Principais Dimensões														
Modelo	IA-S170-D			IA-S266-D			IA-S330-D			IA-S370-D			IA-S600-D	
Bitola	1"	1.1/4"	1.1/2"	2"	2.1/2"	3"	3"	4"	5"	4"	5"	6"	8"	
ØA	170,0	170,0	170,0	266,0	266,0	266,0	336,0	336,0	336,0	370,0	370,0	370,0	600,0	
B	454,0	463,0	473,0	628,0	635,0	679,0	679,0	698,0	729,0	796,0	882,0	905,0	1234,0	